



FC TECHNOLOGIES

Universal Adapter

Universal Adapter

User Guide





FC TECHNOLOGIES

Universal Adapter

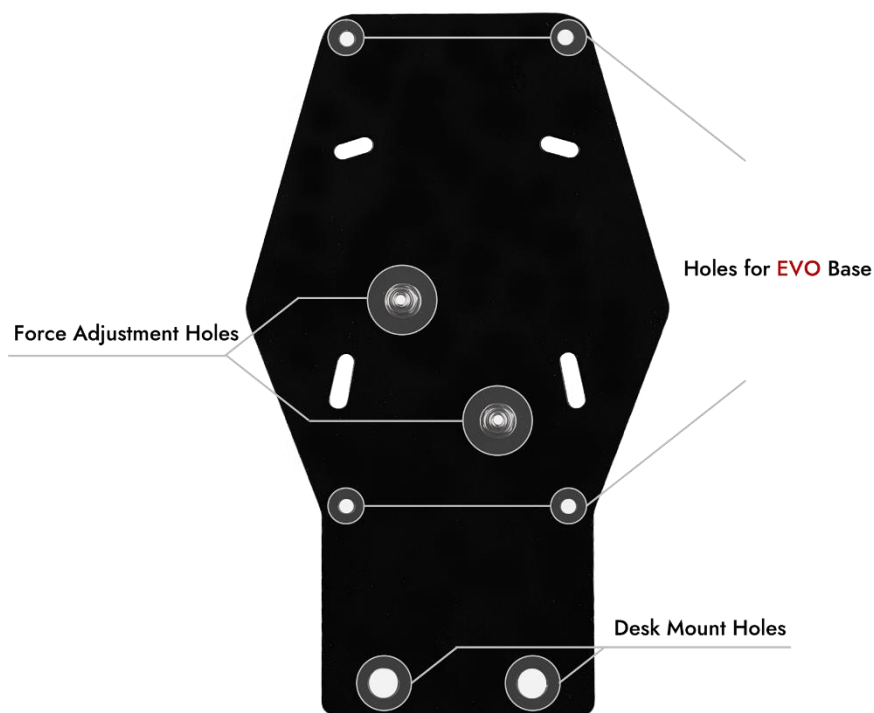
Introduction

The Universal Adapter (Figure 1) is designed to securely attach a grip with a base onto a desk mount. Constructed from steel, the adapter ensures durability for the entire assembled structure. Notably, this Universal Adapter also supports the installation of bases with grips from other renowned brands.



Figure 1. Universal Adapter

Universal Adapter - Features





FC TECHNOLOGIES

Universal Adapter

Inside the Box

1x Universal Adapter

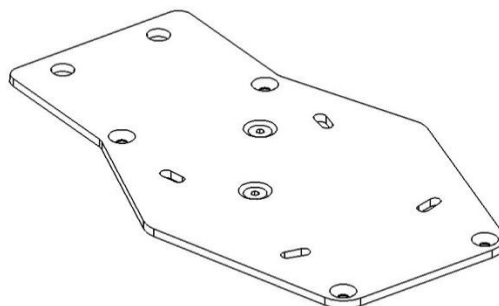
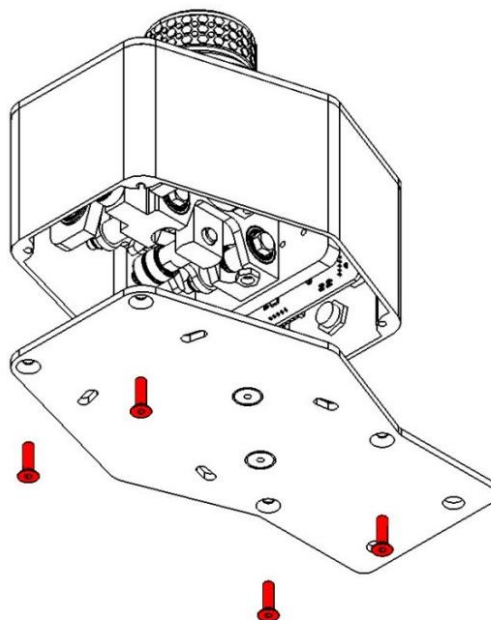


Figure 2. Contents of the Universal Adapter product packaging.

Universal Adapter – Base Installation

1. Install the Adapter for Desk Mount to the Base using the M4x12 screws and hex key.



Disclaimer

It is advised to adopt a diagonal screwing sequence for secure and proper assembly. Non-compliance is the user's responsibility and may affect product integrity, with the manufacturer not liable for resulting issues.

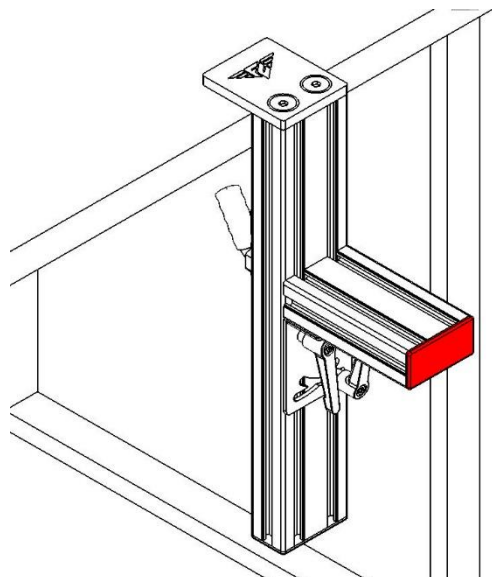


FC TECHNOLOGIES

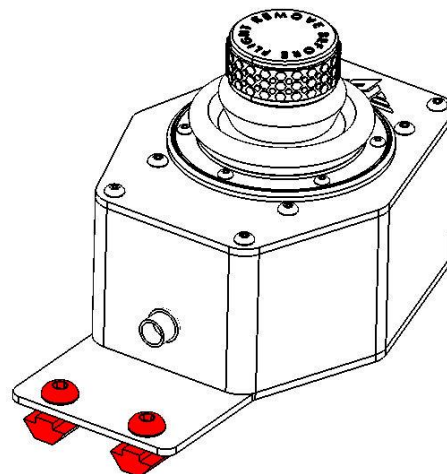
Universal Adapter

Universal Adapter – Desk Mount Installation

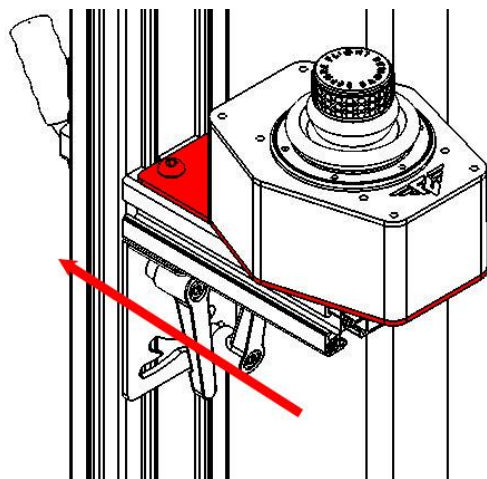
1. Remove the plug with the second part of the blank cover.



2. Install the M8 Screw with T-nuts on the Universal Adapter



3. Install the M8 Screws with T-nuts on the Universal Adapter



4. Return the plug to the second part of the blank cover.

