

NS-37 GRIP

User Guide

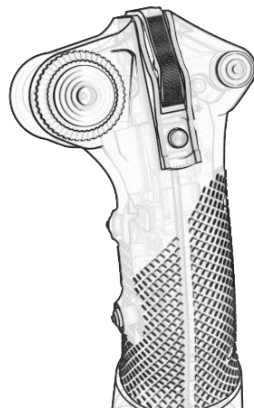


NS-37 Grip – Features



Inside the Box

1x NS-37 Grip



2x Hex keys

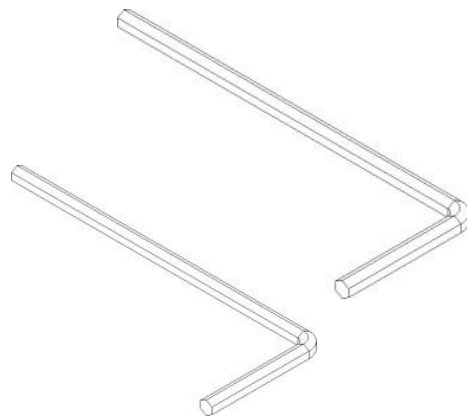


Figure 2. Contents of the NS-37 Grip product packaging.

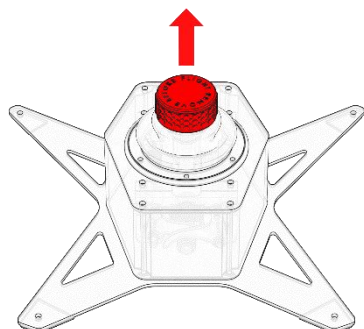


FC TECHNOLOGIES

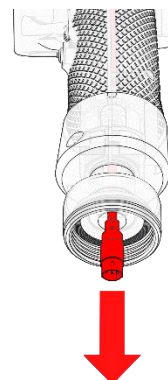
NS-37 GRIP

NS-37 Grip – Mounting to the base

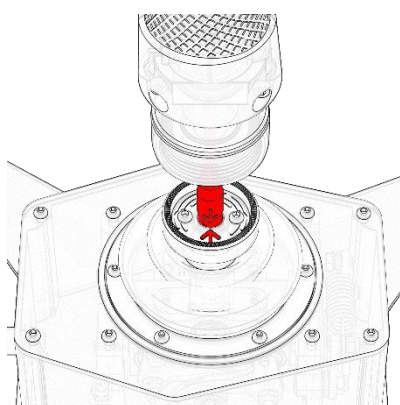
1. Remove the cover from the Base



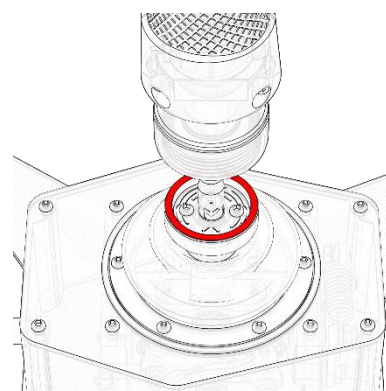
2. Pull out the connection cable from the bottom of NS-37 Grip.



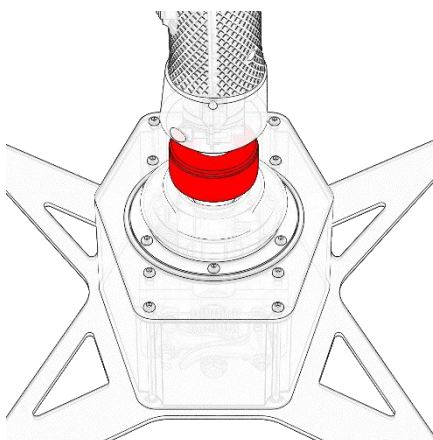
3. Connect the NS-37 Grip and the base. Pay attention to the positioning arrows!



4. Make sure the slots on the NS-37 Grip and the base line up.



5. Adjust the position of the NS-37 Grip and tighten the indicated nut to the base.



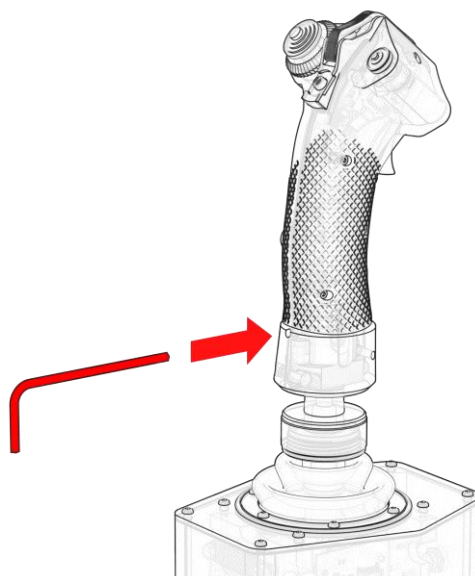


FC TECHNOLOGIES

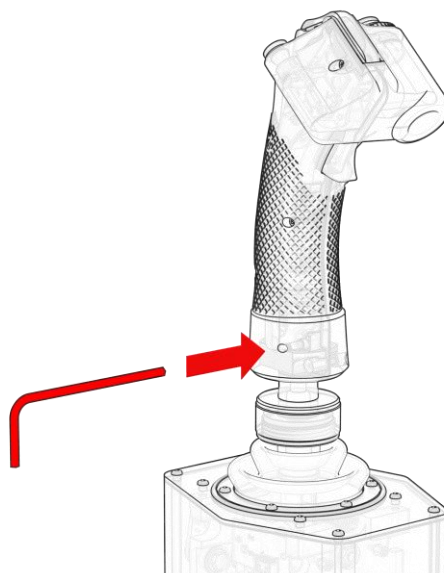
NS-37 GRIP

NS-37 Grip – Twist Adjustments

1. You can disable or enable the twist by unscrewing or tightening the screw as shown in the figure.



2. You can adjust the resistance by tightening or loosening the screw as shown in the figure.





FC TECHNOLOGIES

NS-37 GRIP